

CUSTOMER NAME:	
STREET	
CITY, STATE, ZIP	
EMAIL	
PHONE	



PO BOX 962
CLINTON, NC 28329
MVMBARS@GMAIL.COM

MOBILE: 910-305-2207
SHOP: 248-474-4544

REAR END INFORMATION

1. BRAND OF REAR END

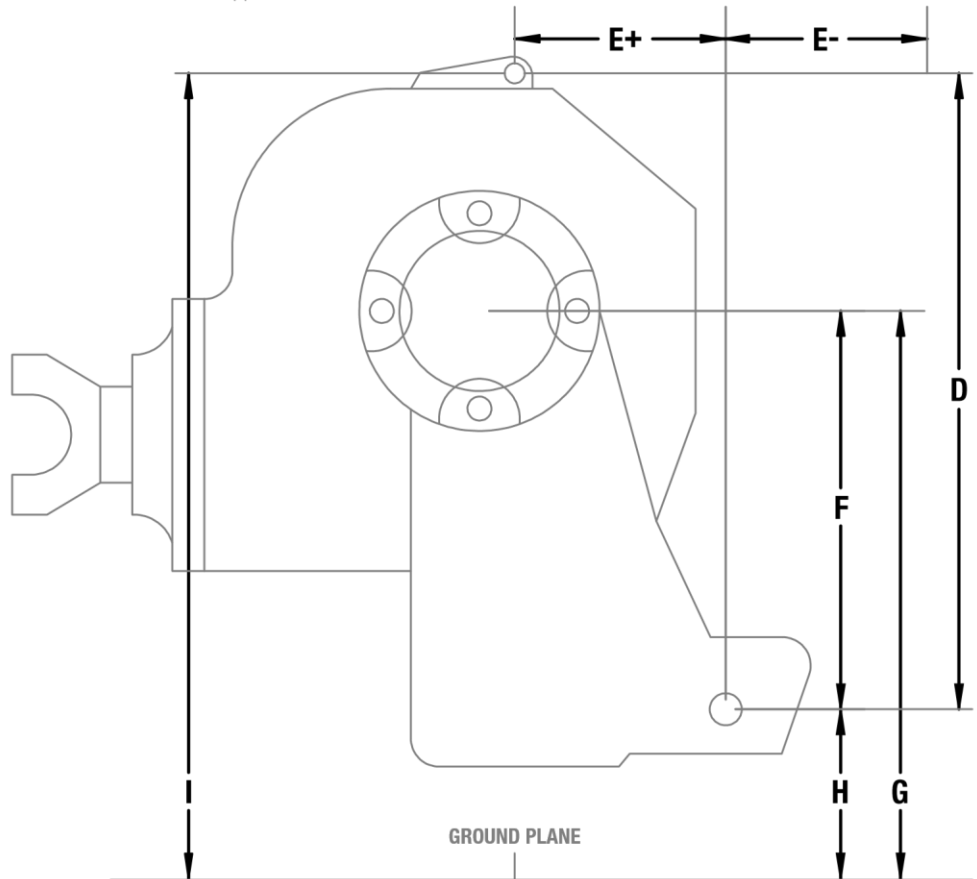
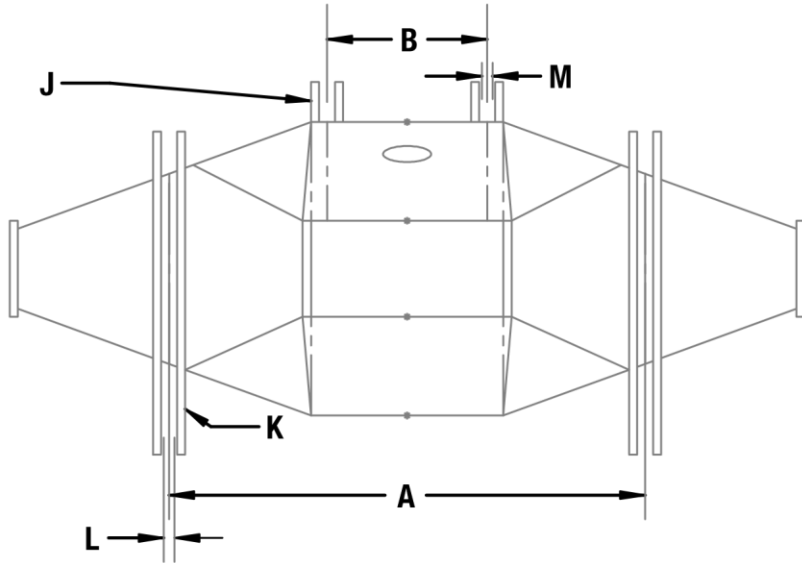
2. REAR END MATERIAL	(SELECT 1)
SHEET METAL FABRICATED	
BILLET ALUMINUM	
MODULAR ALUMINUM	

REQUIRED MEASUREMENTS

1. DIMENSIONS	(INCHES)
A	
B	
D	
E	(+ OR - ONLY)
F	
G	
H	
I	
PINION ANGLE - 1	

2. BOLT SIZES	(INCHES)
J	
K	

3. DIMENSION WIDTH	(INCHES)
L	
M	



SIGNATURE (REQUIRED)

DISCLAIMER

Please be certain that the dimensions that you are providing on this form are accurate, as we take no responsibility for your dimensions and you may incur extra charges to correct the product. Do not hesitate to send an email if you need assistance or helpful suggestions. Thank you for your cooperation.